

THE ORCAS LEVER

designed by Cutler Anderson Architects



REVEAL DESIGNS®

LEVERS & KNOBS

THE ORCAS LEVER

designed by Cutler Anderson Architects

DESIGN AND FUNCTION



Image 1 (#101-32D)

- Designed to reveal mechanics of lever
- Handle runs through middle of spindle
- Grip is designed to fit hand perfectly
- Wood handle versions warm to the touch
- Metal handle versions installed on both interior and exterior doors
- Functions with tubular latches, mortise and multipoint locks
- Handcrafted in U.S.A.

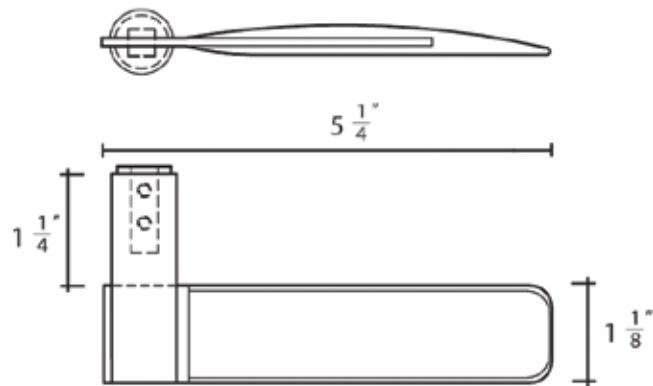


Image 2 (#101-10B)

DIMENSIONS AND FIGURES



Image 3 (#101-28)



Product No. 101

* Functions with 8mm on Square Spindle

AVAILABLE IN

- Beech / Stainless Steel (Image 4)
- Walnut / Stainless Steel
- All Stainless Steel (Image 1)
- Oil Rubbed Bronze / Stainless Steel (Image 2)
- Anodized Aluminum / Stainless Steel (Image 3)



Image 4 (#101-BW)

All Stainless Steel components manufactured using No. 304 Stainless Steel
All Oil Rubbed Bronze components manufactured from a silicon bronze base with a live finish
Custom Metals and Woods Available Upon Request

products@reveal-designs.com

www.reveal-designs.com

914 220 0277



REVEAL DESIGNS®

LEVERS & KNOBS