

BCJ LEVER I

designed by Bohlin Cywinski Jackson



REVEAL DESIGNS®

LEVERS & KNOBS

BCJ LEVER I

designed by Bohlin Cywinski Jackson

DESIGN AND FUNCTION



Image 1 (#106-32D)

- Wood handle versions warm to the touch
- Metal handle versions installed on both interior and exterior doors
- Functions with tubular latches, mortise and multipoint locks
- Handcrafted and designed in U.S.A.



Image 2 (#106-WW)

DIMENSIONS AND FIGURES

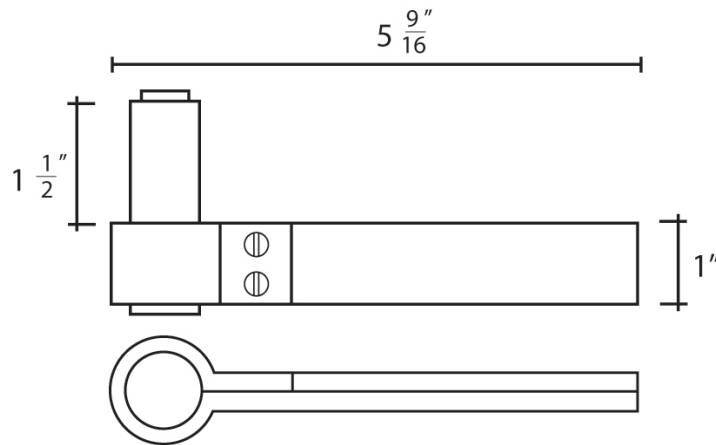


Image 3 (#106-BW)

Product No. 106

* Functions with 8mm on Square Spindle

AVAILABLE IN

- Beech / Stainless Steel (Image 3)
- Walnut / Stainless Steel (Image 2)
- All Stainless Steel (Darker Sandblasted grip) (Image 1)
- Oil Rubbed Bronze / Stainless Steel
- Anodized Aluminum/Stainless Steel

All Stainless Steel components manufactured using No. 304 Stainless Steel

All Oil Rubbed Bronze components manufactured from a silicon bronze base with a live finish

Custom Metals and Woods Available Upon Request



Ability to manufacture hardware to LEED certification standards

products@reveal-designs.com

www.reveal-designs.com

914 220 0277



REVEAL DESIGNS®

LEVERS & KNOBS